




Vehicle History Report™

US \$39.99

2010 JEEP WRANGLER UNLIMITED SAHARA VIN: 1J4BA5H19AL205679 4 DOOR WAGON/SPORT UTILITY 3.8L V6 F OHV 12V GASOLINE REAR WHEEL DRIVE W/ 4X4		Accident reported
		7 Service history records
		At least 1 open recall
		34 Detailed records available
		115,240 Last reported odometer reading

This CARFAX Report Provided by:
AutoShow Sales and Finance




This CARFAX Vehicle History Report is based only on information supplied to CARFAX and available as of 3/10/23 at 12:23:10 PM (CST). Other information about this vehicle, including problems, may not have been reported to CARFAX. Use this report as one important tool, along with a vehicle inspection and test drive, to make a better decision about your next used car.

Title History	Summary
CARFAX guarantees the information in this section	
Salvage Junk Rebuilt Fire Flood Hail Lemon	<input checked="" type="checkbox"/> Guaranteed No Problem
Not Actual Mileage Exceeds Mechanical Limits	<input checked="" type="checkbox"/> Guaranteed No Problem
GUARANTEED - None of these major title problems were reported by a state Department of Motor Vehicles (DMV). If you find that any of these title problems were reported by a DMV and not included in this report, CARFAX will buy this vehicle back. View Terms	

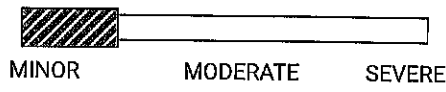
Additional History	Summary
Not all accidents / issues are reported to CARFAX	
Total Loss No total loss reported to CARFAX.	<input checked="" type="checkbox"/> No Issues Reported
Structural Damage CARFAX recommends that you have this vehicle inspected by a collision repair specialist.	<input checked="" type="checkbox"/> No Issues Reported
Airbag Deployment No airbag deployment reported to CARFAX.	<input checked="" type="checkbox"/> No Issues Reported
Odometer Check No indication of an odometer rollback.	<input checked="" type="checkbox"/> No Issues Indicated
Accident / Damage Damage reported: 10/23/2012, 08/09/2013, and 10/07/2019. Accidents reported: 10/25/2012 and 06/07/2014. Vandalism damage reported: 12/29/2015, 11/28/2018, 06/03/2022, and 06/08/2022. Damage repair estimate reported: 06/30/2022.	Accident Reported
Manufacturer Recall At least 1 manufacturer recall requires repair.	Recall Reported

Detailed History

Date	Mileage	Source	Comments
09/24/2010		Ontario Ministry of Transportation	Registration issued or renewed - First owner reported - Passed safety inspection - Vehicle color noted as Orange
02/22/2011	6,959	Service Facility Amherstburg, ON	 Vehicle serviced - Odometer reported as 11,199 kilometers
04/13/2012	19,511	Ontario Ministry of Transportation Amherstburg, ON	Registration issued or renewed - Registered as personal vehicle - Odometer reported as 31,400 kilometers
08/12/2012	22,975	Dealer Inventory	Vehicle offered for sale - Odometer reported as 36,975 kilometers
09/05/2012	23,001	Manitoba Motor Vehicle Dept.	Registration issued or renewed - New owner reported - Vehicle color noted as Orange - Odometer reported as 37,017 kilometers

10/23/2012 Damage Report  **Damage reported: minor damage**
- Damage to front

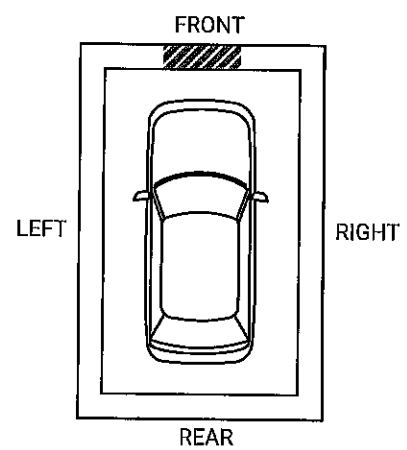
Damage Severity Scale 




**CARFAX HAS
THE MOST
ACCIDENT &
DAMAGE
INFORMATION**



Damage Location

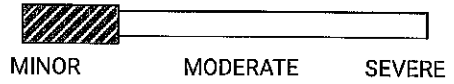


10/25/2012 24,670 Damage Report
Winnipeg, MB  **Damage claim reported due to collision on**
- 10/23/2012
- Damage repair estimate performed
- Estimated damage amount was CAD\$872.92
- Claim amount was updated on 10/28/2013.
- Damage to front
- Minor damage reported
- Odometer reported as 39,703 kilometers

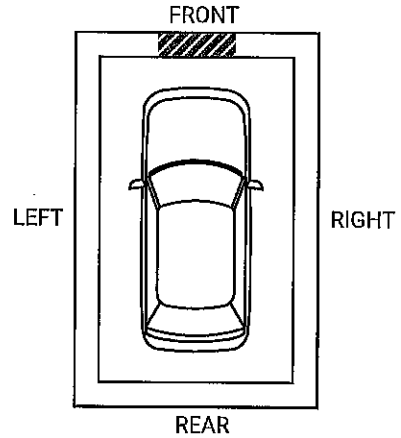
**CARFAX HAS
THE MOST
ACCIDENT &
DAMAGE
INFORMATION**



Damage Severity Scale ⓘ



Damage Location



04/09/2013

Manitoba
Motor Vehicle Dept.

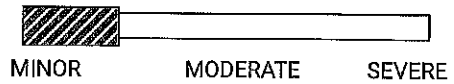
Registration issued or renewed
- Vehicle color noted as Orange

08/09/2013

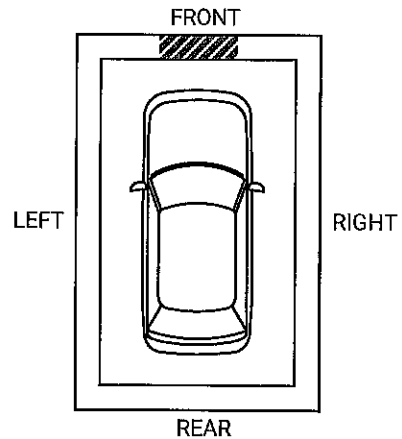
Damage Report
Manitoba

ⓘ **Damage claim reported due to a non-collision event**
- Damage repair estimate performed
- Estimated damage amount was CAD\$90.40
- Damage to front
- Minor damage reported

Damage Severity Scale ⓘ



Damage Location



**CARFAX HAS
THE MOST
ACCIDENT &
DAMAGE
INFORMATION**



04/09/2014

Manitoba
Motor Vehicle Dept.

Registration issued or renewed
- Vehicle color noted as Orange

06/07/2014

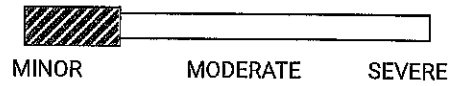
Damage Report

- i** Damage reported: minor damage
- Damage to left rear
- Damage to rear

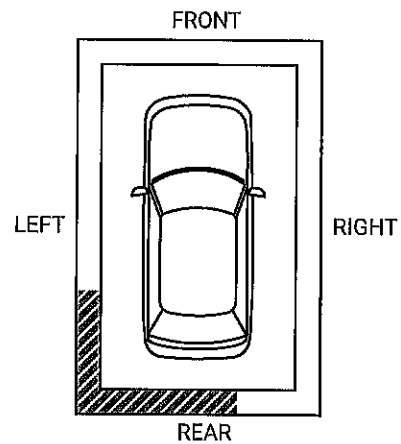
CARFAX HAS THE MOST ACCIDENT & DAMAGE INFORMATION



Damage Severity Scale **i**



Damage Location



06/07/2014

40,650

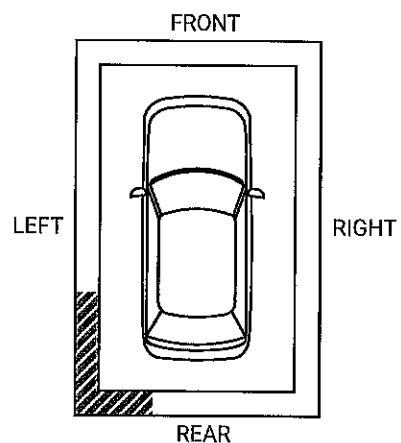
Damage Report
Winnipeg, MB

- !** Damage claim reported due to collision on 06/07/2014
- Damage repair estimate performed
- Estimated damage amount was CAD\$1,535.48
- Claim amount was updated on 02/08/2016.
- Damage to left rear
- Odometer reported as 65,420 kilometers

CARFAX HAS THE MOST ACCIDENT & DAMAGE INFORMATION



Damage Location



04/09/2015

Manitoba
Motor Vehicle Dept.

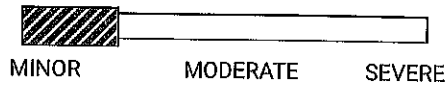
- Registration issued or renewed
- Vehicle color noted as Orange

12/29/2015

Damage Report
Manitoba

- i** Damage claim reported due to vandalism
- Damage repair estimate performed
- Estimated damage amount was CAD\$408.24
- Claim amount was updated on 01/11/2016.
- Minor damage reported

Damage Severity Scale ⓘ



02/04/2016	57,034	Kal Tire - Winnipeg Winnipeg, MB 204-895-0103	Vehicle serviced - Battery replaced - Maintenance reminder reset - Oil and filter changed - Odometer reported as 91,787 kilometers
04/09/2016		Manitoba Motor Vehicle Dept.	Registration issued or renewed - Vehicle color noted as Orange
07/01/2016		FCA US LLC	Manufacturer Safety recall issued - NHTSA #16V-352 - Recall #S43 PASSENGER AIRBAG INFLATOR - Status: Remedy available Click here for a copy of the owner letter for this Recall or call 1- 800-853-1403 if you have any questions or need additional information on this recall. - Learn more about this recall

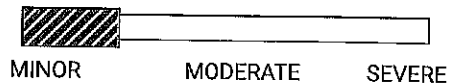
Description: THE FRONT PASSENGER AIRBAG INFLATOR MAY RUPTURE, DUE TO EXCESSIVE INTERNAL PRESSURE, DURING NORMAL AIRBAG DEPLOYMENT EVENTS. THIS CONDITION IS MORE LIKELY TO OCCUR IF YOUR VEHICLE HAS BEEN EXPOSED TO HIGH LEVELS OF ABSOLUTE HUMIDITY FOR EXTENDED PERIODS OF TIME.

AN INFLATOR RUPTURE, DURING AIRBAG DEPLOYMENT EVENTS, COULD RESULT IN METAL FRAGMENT(S) STRIKING THE VEHICLE OCCUPANT(S) RESULTING IN SERIOUS INJURY OR DEATH.

Remedy: THE PASSENGER AIRBAG INFLATOR MUST BE REPLACED.

04/09/2017		Manitoba Motor Vehicle Dept.	Registration issued or renewed - Vehicle color noted as Orange
04/09/2018		Manitoba Motor Vehicle Dept.	Registration issued or renewed - Vehicle color noted as Orange
11/28/2018	80,269	Damage Report Winnipeg, MB	Damage claim reported due to vandalism on - 11/27/2018 - Damage repair estimate performed - Estimated damage amount was CAD\$820.84 - Minor damage reported - Odometer reported as 129,180 kilometers

Damage Severity Scale ⓘ



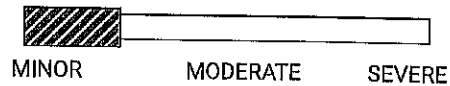
12/12/2018		River City Ford Winnipeg, MB 204-837-3636 rivercityford.ca/ ★ 4.4 / 5.0 32 Verified Reviews ✓ ❤️ 2 Customer Favorites	Vehicle serviced - Vehicle washed/detailed
05/03/2019		Manitoba Motor Vehicle Dept.	Registration issued or renewed - Vehicle color noted as Orange
10/07/2019		Damage Report Manitoba	Damage claim reported due to a non-collision event - Damage repair estimate performed - Estimated damage amount was CAD\$410.23 - Claim amount was updated on 11/18/2019. - Damage to front

**CARFAX HAS
THE MOST
ACCIDENT &
DAMAGE
INFORMATION**

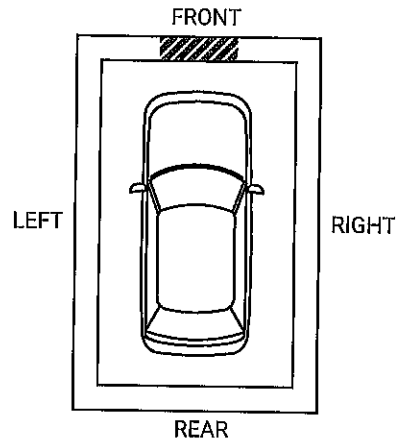


- Minor damage reported

Damage Severity Scale ⓘ

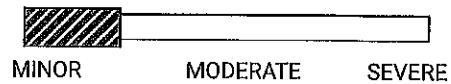




Damage Location



11/05/2019		River City Ford Winnipeg, MB 204-837-3636 rivercityford.ca/ ★ 4.4 / 5.0 32 Verified Reviews ♥ 2 Customer Favorites	🔧 Vehicle serviced
04/09/2020		Manitoba Motor Vehicle Dept.	📄 Registration issued or renewed - Vehicle color noted as Orange
04/30/2020	92,020	Kal Tire - Winnipeg Winnipeg, MB 204-895-0103	🔧 Vehicle serviced - Maintenance reminder reset - Oil and filter changed - Odometer reported as 148,092 kilometers
02/11/2021	98,373	Kal Tire - Winnipeg Winnipeg, MB 204-895-0103	🔧 Vehicle serviced - Maintenance inspection completed - Rear brakes replaced - Front brakes replaced - Maintenance reminder reset - Oil and filter changed - Odometer reported as 158,316 kilometers
04/09/2021		Manitoba Motor Vehicle Dept.	📄 Registration issued or renewed - Vehicle color noted as Orange
04/09/2022		Manitoba Motor Vehicle Dept.	📄 Registration issued or renewed - Vehicle color noted as Orange
06/03/2022		Damage Report	🔍 Vandalism damage claim reported
06/08/2022	110,981	Damage Report Winnipeg, MB	📄 Damage claim reported due to vandalism on - 06/03/2022 - Damage repair estimate performed - Estimated damage amount was CAD\$847.68 - Claim amount was updated on 07/04/2022. - Minor damage reported - Odometer reported as 178,607 kilometers

Damage Severity Scale



06/27/2022	111,109	Kal Tire - Winnipeg Winnipeg, MB 204-774-2822	 Vehicle serviced - Engine checked - Odometer reported as 178,813 kilometers
06/30/2022		Damage Report Winnipeg, MB	 Damage repair estimate performed - Estimated damage amount was CAD\$ 847.68
02/25/2023	115,240	Manitoba Motor Vehicle Dept.	Registration issued or renewed - New owner reported - Vehicle color noted as Orange - Odometer reported as 185,461 kilometers

Have Questions? Consumers, please visit our Help Center at www.carfax.com. Dealers or Subscribers, please visit our Help Center at www.carfaxonline.com.

Glossary

Accident Indicator

CARFAX receives information about accidents in all 50 states, the District of Columbia and Canada.

Not every accident is reported to CARFAX. As details about the accident become available, those additional details are added to the CARFAX Vehicle History Report. CARFAX recommends that you have this vehicle inspected by a qualified mechanic.

- According to the National Safety Council, Injury Facts, 2021 edition, 5% of the 276 million registered vehicles in the U.S. were involved in an accident in 2019. Over 77% of these were considered minor or moderate.
- This CARFAX Vehicle History Report is based only on information supplied to CARFAX and available as of 3/10/23 at 12:23:10 PM (CST). Other information about this vehicle, including problems, may not have been reported to CARFAX. Use this report as one important tool, along with a vehicle inspection and test drive, to make a better decision about your next used car.

Damage Indicator

Damage can be a result of many different types of events. Examples include contact with objects (other cars, trees, traffic signs, road debris, etc), vandalism, or weather-related events. Not every damage event is reported to CARFAX. As details about the damage event become available, those additional details are added to the CARFAX Vehicle History Report. CARFAX recommends that you have this vehicle inspected by a qualified mechanic.

- This CARFAX Vehicle History Report is based only on information supplied to CARFAX and available as of 3/10/23 at 12:23:10 PM (CST). Other information about this vehicle, including problems, may not have been reported to CARFAX. Use this report as one important tool, along with a vehicle inspection and test drive, to make a better decision about your next used car.

Damage Severity

Damage events result in one of the following severity levels:

- **Minor:** Generally, minor damage is cosmetic (including dents or scratches), may only require reconditioning, and typically does not compromise a vehicle's operation and/or safety.
- **Moderate:** Moderate damage may affect multiple components of the vehicle and may impair the vehicle's operation and/or safety.
- **Severe:** Severe damage usually affects multiple components of the vehicle and is likely to compromise the vehicle's operation and/or safety.

CARFAX recommends getting a pre-purchase inspection at a certified collision repair facility.

First Owner

When the first owner(s) obtains a title from a Department of Motor Vehicles as proof of ownership.

Manufacturer Recall

Automobile manufacturers issue recall notices to inform vehicle owners of a safety defect or failure to meet minimum federal safety or emissions standards. Manufacturer recalls are repaired at no cost to the customer.

New Owner Reported

When a vehicle is sold to a new owner, the Title must be transferred to the new owner(s) at a Department of Motor Vehicles.

Ownership History

CARFAX defines an owner as an individual or business that possesses and uses a vehicle. Not all title transactions represent changes in ownership. To provide estimated number of owners, CARFAX proprietary technology analyzes all the events in a vehicle history. Estimated ownership is available for vehicles manufactured after 1991 and titled solely in the US including Puerto Rico. Dealers sometimes opt to take ownership of a vehicle and are required to in the following states: Maine, Massachusetts, New Jersey, Ohio, Oklahoma, Pennsylvania and South Dakota. Please consider this as you review a vehicle's estimated ownership history.

Follow Us:



facebook.com/CARFAX



[@CARFAXinc](https://twitter.com/CARFAXinc)



About CARFAX

CARFAX DEPENDS ON ITS SOURCES FOR THE ACCURACY AND RELIABILITY OF ITS INFORMATION. THEREFORE, NO RESPONSIBILITY IS ASSUMED BY CARFAX OR ITS AGENTS FOR ERRORS OR OMISSIONS IN THIS REPORT. CARFAX FURTHER EXPRESSLY DISCLAIMS ALL WARRANTIES, EXPRESS OR IMPLIED, INCLUDING ANY IMPLIED WARRANTIES OF MERCHANTABILITY OR FITNESS FOR A PARTICULAR PURPOSE.

© 2023 CARFAX, Inc., part of S&P Global. All rights reserved.
3/10/23 12:23:10 PM (CST)

I have reviewed and received a copy of the CARFAX Vehicle History Report for this 2010 JEEP WRANGLER UNLIMITED vehicle (VIN: 1J4BA5H19AL205679), which is based on information supplied to CARFAX and available as of 3/10/23 at 1:23 PM (EST).

Customer Signature

Date

Dealer Signature

Date